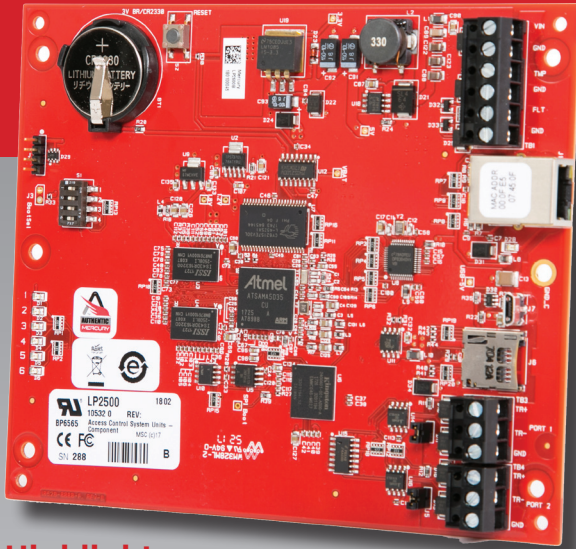


LP Series

# 2500

 Master Intelligent Controller  
 (No Onboard I/O)


## Highlights:

### Third Party Integration Supported

- Wireless Locks
- Power Supply Alerts and Events

### Security and Network

- IPv4/v6
- Host communications protected by TLS 1.2/1.1 or AES-256/128
- Controller/IO Expansion connection protected by AES
- Generate and load custom peer certificates for TLS
- Port based network access control using 802.1X
- FIPS 140-2 user of OpenSSL

### Database Functions

- Encrypted database with configurable sizing
- Supports up to 19 digital card numbers
- Supports pin codes up to 15 digits
- Up to 255 access levels per cardholder
- Card issue code (up to 32 bits), ADA and VIP flags; PIV (75 bits); Smart Card (200 bits)

- **Open Architecture:** High performance, reliable platform enables use of hardware with Mercury OEM partners' software solutions
- **Enhanced Security:** Embedded crypto memory chip and data at rest encryption provides secured layer of protection of sensitive data
- **Versatile Interoperability:** Same reliable interface and identical footprint as the EP controllers, enabling seamless upgrades for existing deployments

## The new Authentic Mercury LP Series Intelligent Controllers

are Mercury Security's next generation advanced access control platform that runs on embedded Linux. The enhanced platform offers an improved processor and increased memory, plus feature an embedded crypto memory chip that provides a secured layer of encryption to onboard sensitive data. Built on the Authentic Mercury open platform, LP Series controllers provide the necessary flexibility for OEMs, channel partners and end customers to choose the controller configuration that best fits their needs.

The LP2500 is a powerful intelligent controller with native network support and is scalable to 64 doors/openings. Built on the Authentic Mercury platform, the intelligent controller uses an on-board Ethernet port to connect to cloud or server based access control hosts. The intelligent controller performs access control, alarm management and scheduled operations -- all in single package.

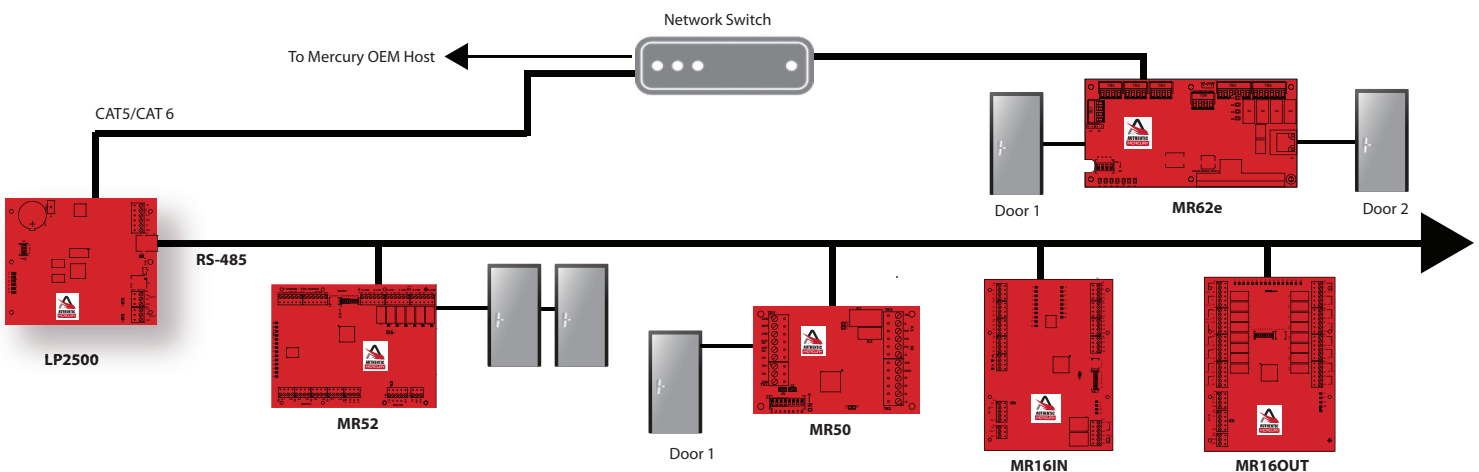
Capable of elaborate processes and procedures without host intervention, the intelligent controller, once programmed, can function independently of the host. System configuration and setup are provided through Mercury OEM partner software applications.

For partners seeking a comprehensive and open access control platform, increased user capacity, and a reliable hardware platform running an expanded set of applications, the LP2500 is the clear solution. It delivers a complete security and access control solution as well as innovative application extensions, interoperability and data security.

# LP2500

Specifications	
<b>Access Control</b>	600,000 cardholder capacity 50,000 transaction buffer Supports up to 2 RS-485 IO protocols 255 access levels per cardholder Cardholder - 19 Digit (64 Bit) User ID with 15 digit PIN MAX Activation/Deactivation If/Then macro capabilities Anti-passback support Nested, area, hard, soft and timed forgiveness Adjustable cardholder capacity Supports up to 1024 inputs and 1024 outputs
<b>Door Control</b>	Natively does not support any readers or openings Use in conjunction with IO expansion modules to support up to 64 readers and openings
General	
<b>Primary Power</b>	12 to 24 Vdc ± 10%, 250 mA maximum (USB port current not included)
<b>Micro USB Port</b>	5 Vdc, 500 mA maximum (add 270 mA to primary power current)
<b>Battery</b>	<b>Memory/ Clock Backup:</b> 3 Volt Lithium, type BR2330 or CR2330
<b>microSD Card</b>	Format: microSD or microSDHC; 2GB to 8GB
<b>Host Comm.</b>	Ethernet: 10-BaseT/100Base-TX and Micro USB port (2.0) with optional adapter: pluggable model USB2-OTGE100
<b>Serial I/O Device</b>	Two each: 2-wire RS-485, 2,400 to 115,200 bps, asynchronous, half-duplex, 1 start bit, 8 data bits, and 1 stop bit
<b>Inputs</b>	Two unsupervised dedicated for cabinet tamper and UPS fault monitoring

Specifications	
Cable Requirements	
<b>Power and Relays</b>	1 twisted pair, 18 to 16 AWG
<b>Ethernet</b>	CAT-5, minimum
<b>RS-485</b>	1 twisted pair, shield, 120 ohm impedance, 24 AWG. 4,000 ft. (1,219 m) maximum cable length
Environmental	
<b>Temperature</b>	-55 to 85 °C storage, 0 to 70 °C operating
<b>Humidity</b>	5 to 95% RHNC
Mechanical	
<b>Dimensions</b>	5 in. (127 mm) W x 6 in. (152.4 mm) L x 1 in. (25 mm) H
<b>Weight</b>	4.1 oz. (115 gm) nominal, board only
Compliance and Warranty	
<b>Product Compliance</b>	UL294 Recognized, FCC Part 15 Class A, CE Compliant, RoHS (2011/65/EU & 2015/863), EU REACH (1907/2006), California Proposition 65, NIST Certified Encryption
<b>Warranty</b>	Mercury Security warrants the product is free from defects in material and workmanship under normal use and service with proper maintenance for one year from the date of factory shipment.



The Authentic Mercury open platform delivers quality assurance derived from the most proven and reliable hardware in the industry. Driven by our engineering excellence and technology leadership, Authentic Mercury hardware is designed as an access control platform that easily encompasses emerging technologies, changing industry standards and evolving system environments. Make yours Authentic, Make sure its Merc.